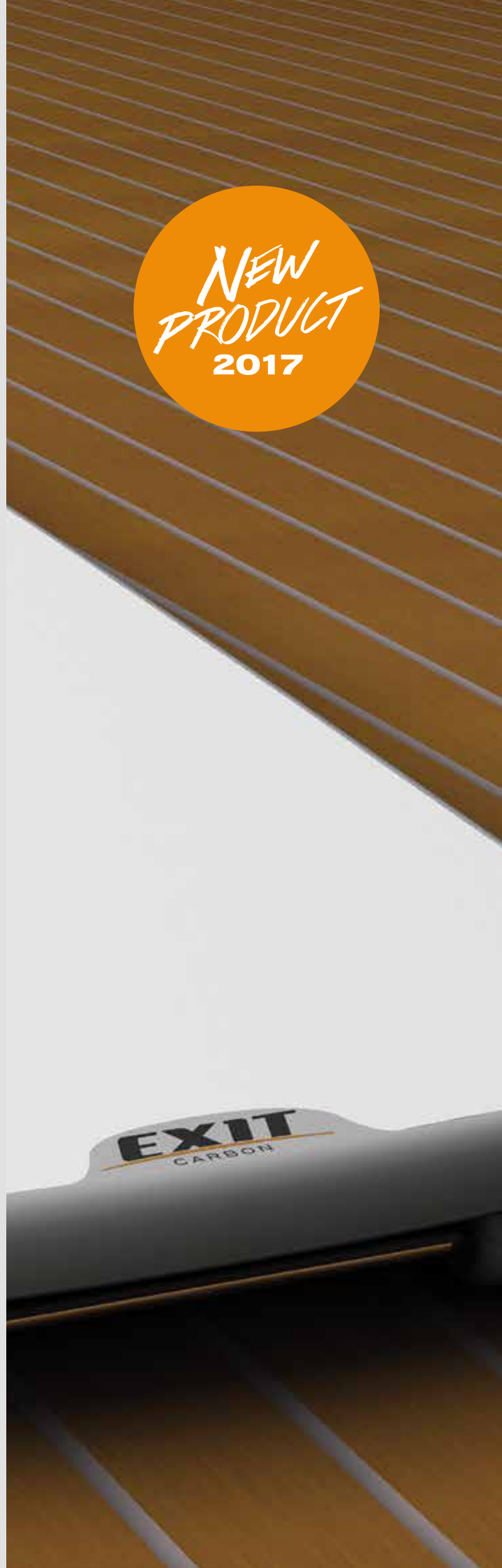


EXIT
CARBON

NEW
PRODUCT
2017

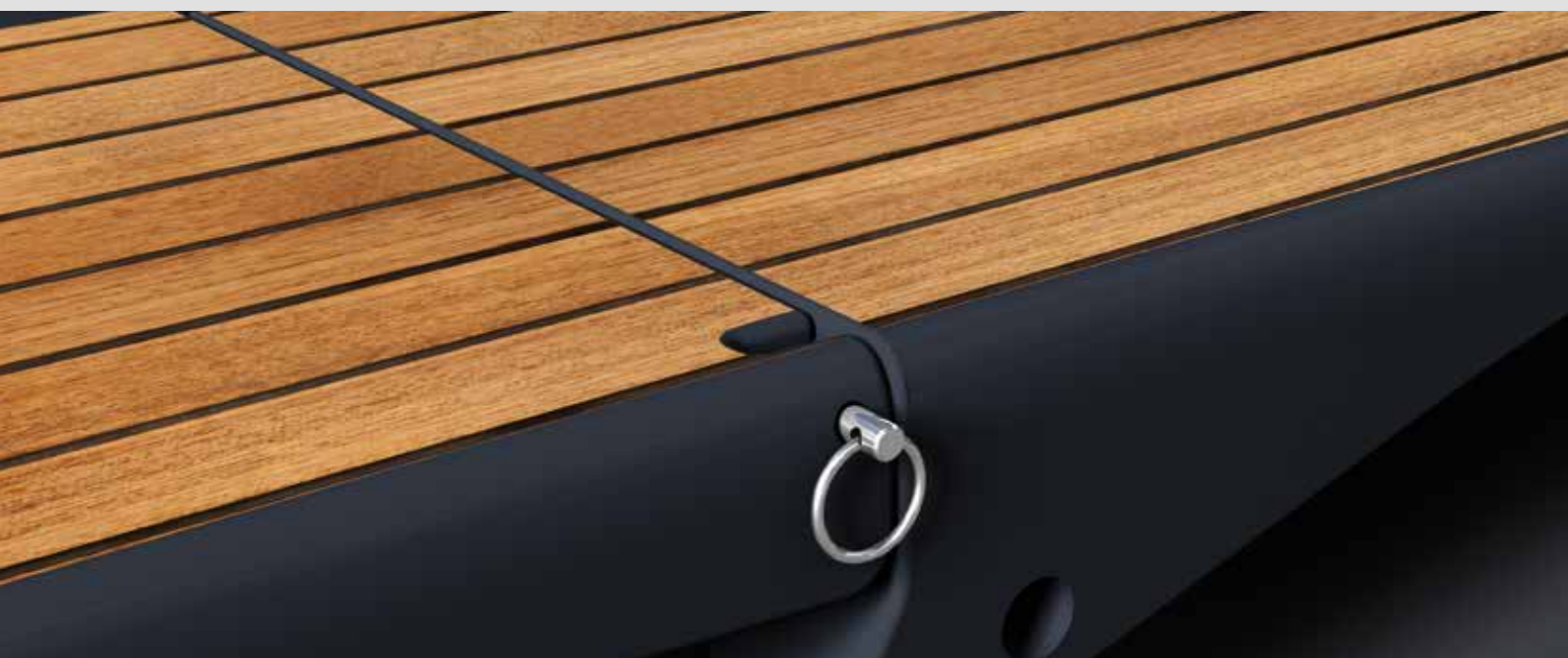




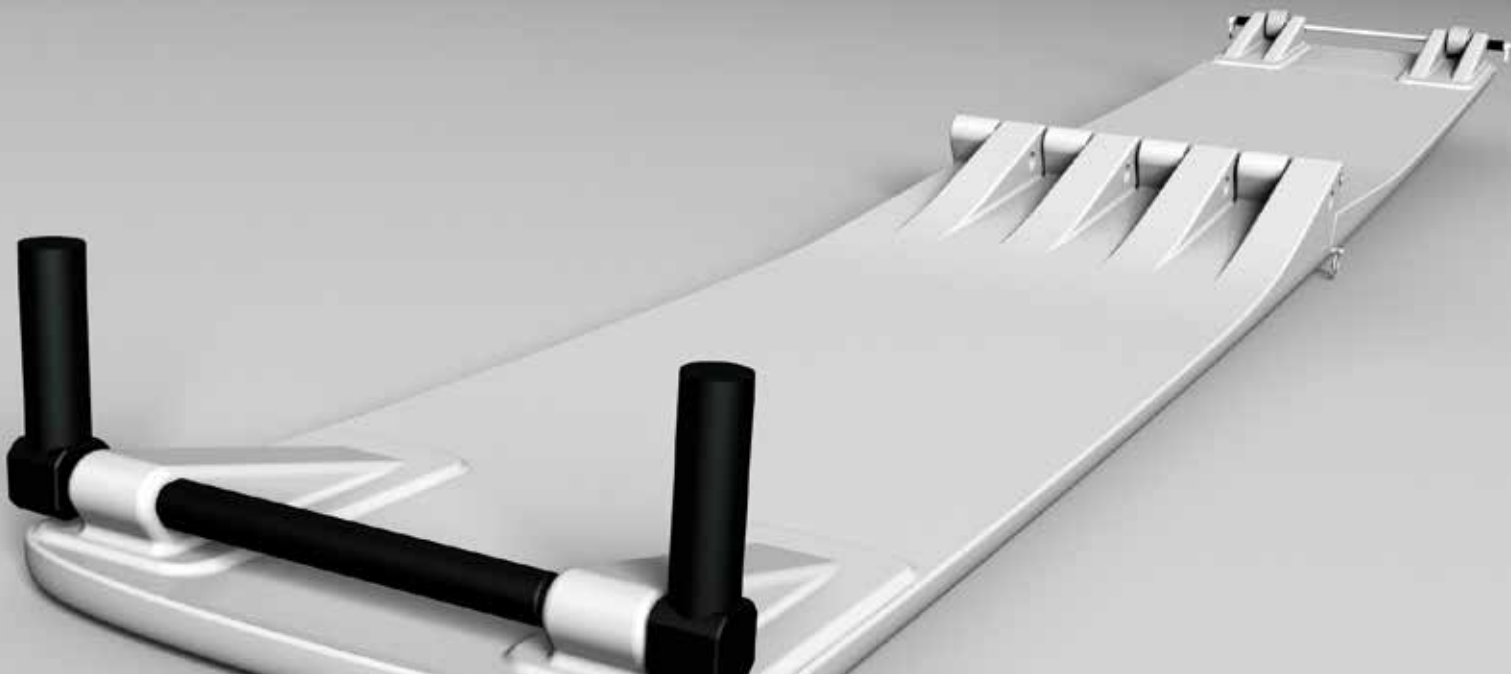
AMBRA BRINGS EXIT CARBON'S TRADITION OF QUALITY DESIGN, TECHNOLOGY, AND RELIABILITY TO YACHTS OF ALL SIZES

AMBRA is all integrated: no more added supports, for wheels, fitting pivots nor stanchions. The integration is both mechanically and aesthetically thought out: every structural detail is supremely optimized, and mostly conceived for double purposes.

AMBRA delivers Exit Carbon's elegant Italian design and high quality production standards to boaters large and small. Created for smaller boaters who still expect quality, AMBRA brings affordability to super-yacht standards.



CUSTOMIZATION OPTIONS INCLUDE GANGWAY COLOR, NON-SLIP TREAD COLOR, TEAK SURFACE, OR YACHT NAME



EVERY STRUCTURAL DETAIL IS SUPREME
OPTIMIZED, AND MOSTLY CONCEIVED FOR
DOUBLE PURPOSES

LIGHT, RESISTANT,
EASY TO USE,
AFFORDABLE

At 215 x 33 cm, the AMBRA gangway has a stylish white finish that complements any boat.
Customization options include gangway color, non-slip tread color, teak surface, or yacht name.
Italian aesthetic have never been more affordable.

TECHNICAL FEATURES / FOLDING GANGWAY

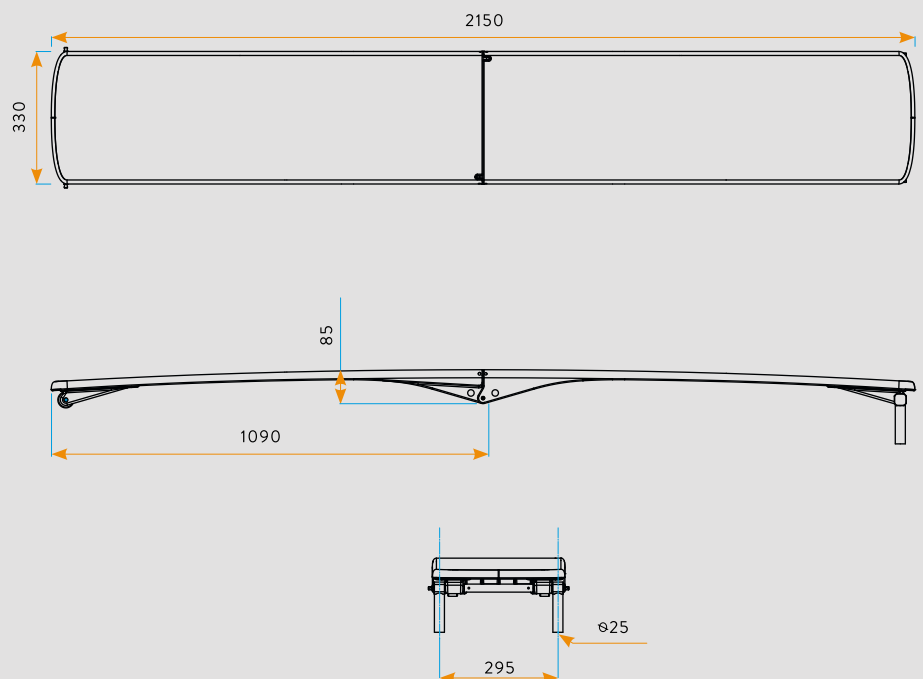
LENGTH /215 cm

WIDTH /33cm

- DOUBLE DECK FITTING PIVOT
- OR AT CHOICE SINGLE PIVOT
- 1 OR 2 STAINLESS STEEL SOCKETS

ADDITIONAL ACCESSORIES /

- STAINLESS STEEL SOCKETS
- ALUMINIUM SOCKETS
- ALUMINIUM STANCHIONS AND LINE
- CARBON STANCHIONS AND LINE
- YACHT NAME
- GANGWAY CHOICE OF COLORS
- ANTISKID CHOICE OF COLORS
- TEAK WALKING SURFACE
- CARBON TRAPEZE SYSTEM
- PADDED STOW BAG



www.exitcarbon.com



SAILING WORRY FREE

EXIT CARBON IS DISTRIBUTED BY
Exit Engineering - VAT 03880600287

Via Industria, 43 30010 - Camponogara (VE) Italy
+39 041 89 48 038 - info@exitcarbon.com

